

User Manual



PROPOWER

150W

PP-150-24

90~264VAC

/ / /

TS-35/7.5 or 15

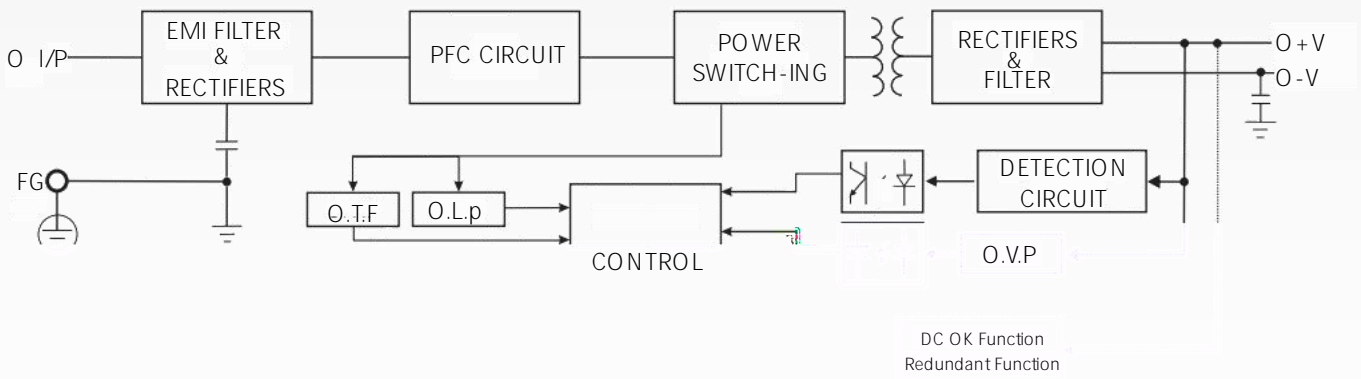
30mm

100%

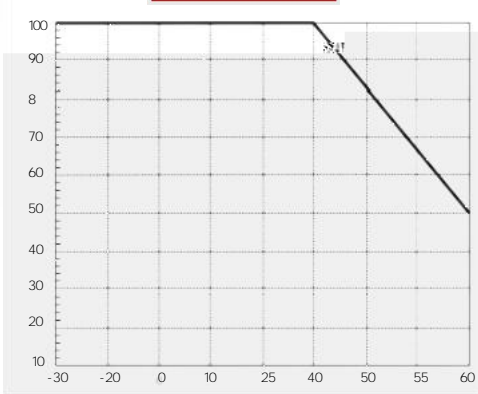
3

IEC/EN/UL 62368-1

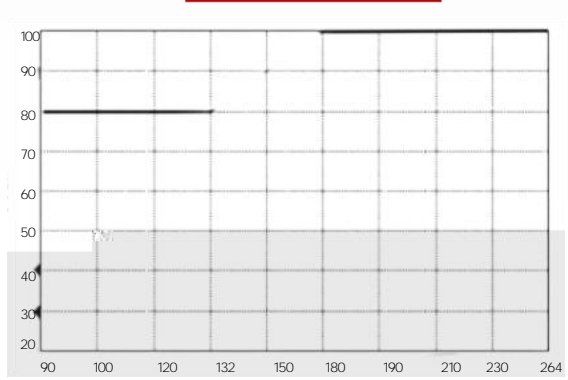
PP-150-24			
		90 264VAC 127 370VDC (' ')	
		47 63Hz	
()		89%	
()		2.8A /115VAC 1.6A /230VAC	
(30A /115VAC 55A /230VAC()	
		< 1mA /240VAC	
		24V	
		6.25A	
		0 6.25A	
		150W	
(120mVp-p	
)		24 28V	
		± 1%	
		± 0.5%	
		± 1%	
		500ms,50ms/230VAC 500ms,50ms/115VAC	
()		30ms/230VAC 7ms/115VAC	
		105% 135%	
		(> 50%Vo),	
		29 33V	
		-20 +70 ,20~ 90%RH	
		-40 +85 ,10 95%RH	
		±0.03%/ (0 50)	
		10 500Hz,2G 10min./1 cycle,each along X Y Z axes	
		30*125.1*110mm(W*H*D)	



减额曲线



静态特性曲线



	/DC ok
	/DC fail
()	30V/1A

1,PP-500R

2

2,

