



User Manual



PROPOWER

500W

PP-500-24

90~264VAC

PFC

/ / /

TS-35/7.5 or 15

50mm

100%

LED

DC OK ()

(PP-500R)

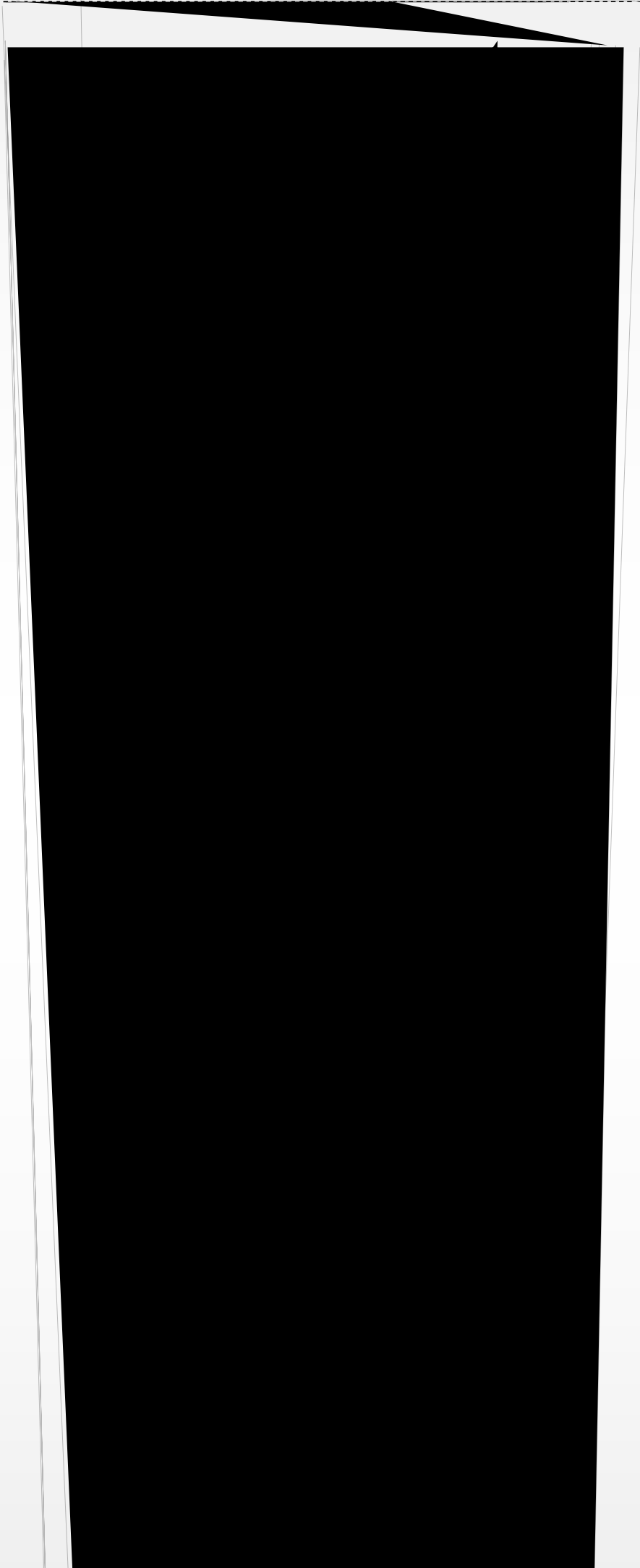
/

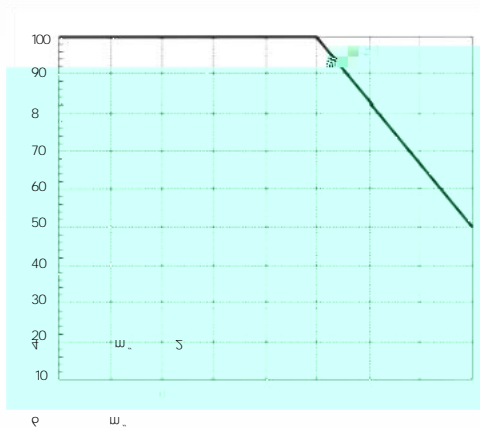
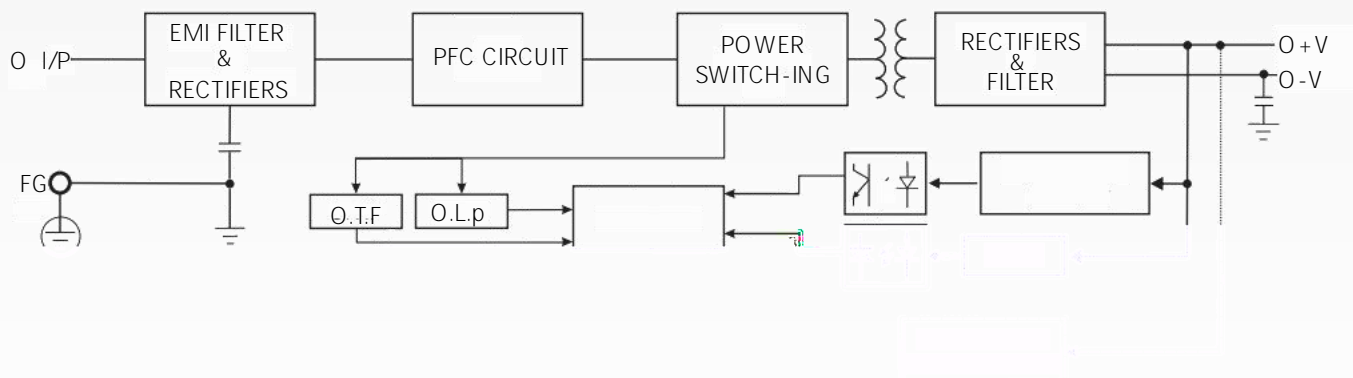
3

IEC/EN/UL 62368-1

		PP-500-24
		90 264VAC 127 370VDC(' "
		47 63Hz
	()	PF>0.98/115VAC PF>0.95/230VAC
	()	93.5%
	(5A /115VAC 3.2A /230VAC
	(20A /115VAC 40A /230VAC()
		< 2mA /240VAC
		24V
		20.8A
		0 20.8A
		499.2W
	()	150mVp-F
		24 28V
		± 1%
		±0.5%
		± 1%
		1500ms,50ms/230VAC 3000ms,50ms/115VAC

	(4ms/230VAC	14ms/115VAC
		110%	140%
		>0.2s,	
		29	35V
	DC OK ()	():30VDC/1A	
	PP-500R		
		-30 +60 (" "),20 90%RH	
		-40 +85 ,10 95%RH	
		$\pm 0.03\%$ / (0 50)	
		10 500Hz,2G 10min./1 cycle,each akong X Y Z axes	
		50*125.1*110mm(W*H*D)	





8
0

